

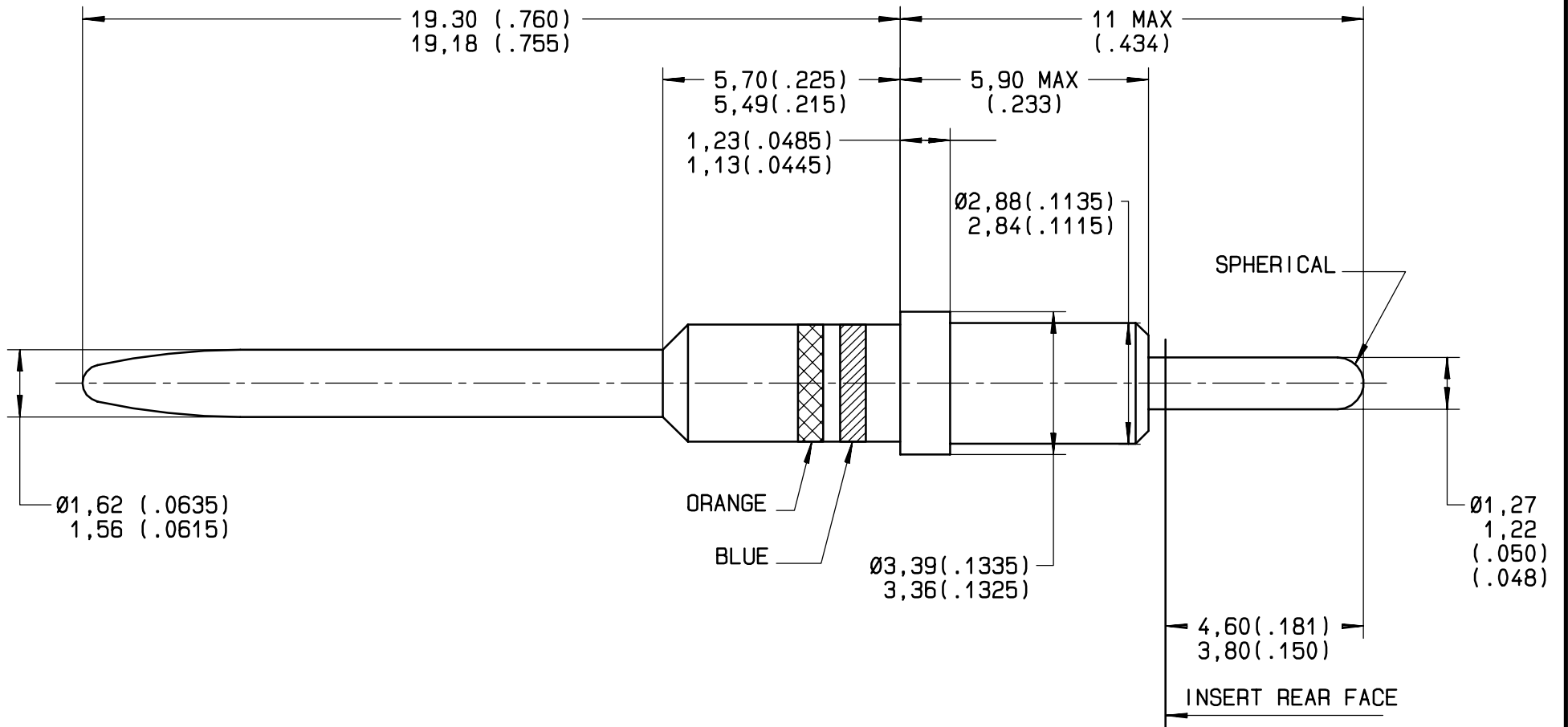


Series  
NSX

SIZE 16 FRONT RELEASE. FRONT REMOVABLE  
PC POST PIN CONTACT

Issue:  
24 MARCH 99

Page  
1 / 1



**\*MATERIAL:**

- CONTACT: BRASS PER QQ-B-626

**\*FINISH:**

- CONTACT BODY: PLATING .00005 INCH OF GOLD PER MIL-G-45204 TYPE I OR II GRADE C OR D CLASS 1 OVER NICKEL PER QQ-N-290

**\*INSERTION/EXTRACTION TOOL: 282504**

This information is given as an indication. In the continual goal to improve our products, we reserve the right to make any modifications judged necessary.

CREATION	.	.	.	.
PEN: M990400021A	.	.	.	.
NOM: MACARI	.	.	.	.
DATE: 24 MARCH 99	.	.	.	.
APPR.: .	.	.	.	.
	Issue	Revisions	Name	Approved